

# F00RJ02397 Injector Valve Assembly Technical File

SKU: G1L10F00RJ02397



## F00RJ02397 Injector Valve Assembly Technical File

### Content

|   |    |
|---|----|
| 1. F00RJ02397 Injector Valve Assembly's Introduction .....                                      | 3  |
| 1.1.F00RJ02397 Injector Valve Assembly Basic Information .....                                  | 3  |
| 1.2.F00RJ02397 Injector Valve Assembly Application Information for Injectors .....              | 3  |
| 1.3.F00RJ02397 Injector Valve Assembly Specifications and Dimensions Parameters .....           | 3  |
| 1.4.F00RJ02397 Injector Valve Assembly's Quality Control.....                                   | 3  |
| 1.5.F00RJ02397 Injector Valve Assembly's Customized Service .....                               | 4  |
| 1.6.F00RJ02397 Injector Valve Assembly Packing List .....                                       | 4  |
| 1.7.F00RJ02397 Injector Valve Assembly Warranty Instructions.....                               | 5  |
| 1.8.F00RJ02397 Injector Valve Assembly Manufacturer .....                                       | 6  |
| 2. F00RJ02397 Injector Valve Assembly Technical Support .....                                   | 6  |
| 2.1.F00RJ02397 Injector Valve Assembly Installation Precautions.....                            | 6  |
| 2.2.F00RJ02397 Injector Valve Assembly Replacement Conditions .....                             | 7  |
| 2.3.F00RJ02397 Injector Valve Assembly Installation Steps .....                                 | 8  |
| 2.4.F00RJ02397 Injector Valve assembly Technical Support Obtaining Methods .....                | 20 |
| 3.F00RJ02397 Injector Valve Assembly Purchase and Delivery.....                                 | 20 |
| 3.1.F00RJ02397 Injector Valve Assembly Purchase Payment Terms .....                             | 20 |
| 3.2.F00RJ02397 Injector Valve Assembly Main Sales Market.....                                   | 20 |
| 3.3.F00RJ02397 Injector Valve Assembly Declaration Requirements.....                            | 20 |
| 3.4.F00RJ02397 Injector Valve Assembly Shipping Ways .....                                      | 20 |
| 3.5.F00RJ02397 Injector Valve Assembly Lead Time .....  | 20 |
| 3.6.F00RJ02397 Injector Valve Assembly Logistics Time for Destination Out of China's Areas..... | 20 |
| 3.7.F00RJ02397 Injector Valve Assembly Packing .....  | 21 |
| 4.F00RJ02397 Injector Valve Assembly Storage Standard.....                                      | 22 |
| 5. Company Information.....   | 23 |
| 5.1. Company Introduction .....   | 23 |
| 5.2. Contact Information.....   | 24 |
| 6. Copyright Statement.....   | 24 |

## FOORJ02397 Injector Valve Assembly Technical File

### 1. FOORJ02397 Injector Valve Assembly's Introduction

#### 1.1.FOORJ02397 Injector Valve Assembly Basic Information

| Title | FOORJ02397 Fuel Injector Valve Assembly 0445120 Series | Quality        |
|-------|--|----------------|
| SKU   | G1L10F00RJ02397  | China Made New |

#### 1.2.FOORJ02397 Injector Valve Assembly Application Information for Injectors

##### (1) FOORJ02397 Injector Valve Assembly Car Model Matching Information

| Injector Part Number | Car Model | OE Number  |
|----------------------|-----------|------------|
| 0445120243           | HINO      | 23670E0490 |

##### (2) FOORJ02397 Injector Valve Assembly Application for Injectors' Part Number

| Injector Series | Injector Part Number | Universal Number | System Pressure (bar) |
|-----------------|----------------------|------------------|-----------------------|
| CRIN1-14/16     | 0445120095           | 0445120243       | 1600                  |

##### (3) FOORJ02397 Injector Valve Assembly Part Number Common Writing

FOORJ02397, FOO RJ02379, F OOR J02 379, F OOR J02 379, FOOR J02 379, FOOR J02 379, FOORJ02379, F OOR J02379, F OORJ02379, F OORJ02379, F OORJ02379, FOOR J02379, FOORJ02379

#### 1.3.FOORJ02397 Injector Valve Assembly Specifications and Dimensions Parameters

Injector Valve Assembly Size: 11cm\*18cm \*3 cm

Injector Valve Assembly Box Size: 12 cm \*19 cm \*4 cm

Injector Valve Assembly Net Weight: 0.02kg

Injector Valve Assembly Gross Weight: 0.05kg

Injector Valve Assembly Quality: China Made New Injector Valve Assembly

Injector Valve Assembly MOQ: 4PCS

#### 1.4.FOORJ02397 Injector Valve Assembly's Quality Control

##### (1) Valve Assembly Testing

All parts of the injector valve assembly are subjected to precision testing, high temperature testing, low temperature testing, withstand pressure testing, leakage testing, durability testing, and various working conditions testing.

##### (2) Injector Valve Assembly Inspection

The factory inspection of the injector valve assembly is undergone full inspection, random inspection, and batch inspection three inspections. Different brands of test benches are used to test the same injector valve assembly for a total of no less than three times for factory inspection, and the fuel injector installation testing environment are progressed in dust-free workshop.

##### (3) Injector Valve Assembly Installation

When matching the valve cap and valve steam, Shumatt strictly complies with the standard of valve cap and valve stem clearance technical indicators to ensure that each valve assembly meets the factory standards and use standards.

**1.5.F00RJ02397 Injector Valve Assembly's Customized Service**

(1) **Valve Assembly's Customized Service** : Meet the customized needs of OEM manufacturers for shell lettering, logo engraving, injector internal packaging, injector external packaging and labels customized, etc.

|  |  |   |
|--|--|---|
|         |   |  |
| Valve Cap Color And Lustre Customized 1000 pieces (White color is optional)              | Valve Cap Color And Lustre Customized 1000 pieces (Purple red color is optional)   | Valve Cap Groove Customized   |
|         |   |  |
| Valve Cap Lettering, Valve Cap logo Engraving, Valve Cap QR Code Engraving Customization | Valve Assembly Box (Square is optional)  | Valve Assembly Box (Cylindrical is optional)  |
|         |  | /   |
| Valve Assembly Bag   | Valve Assembly Label 7cm*5cm   | /   |




**(2) Injector Valve Assembly Customized Service Requirements:**



- The purchase of customized valve assembly package is no less than 100 pieces.
- The purchase of customized valve assembly groove is no less than 100 pieces.
- The purchase of customized valve assembly is no less than 1000 pieces.
- The purchase of customized valve cap engraving is no less than 1000 pieces.
- The purchase of customized valve color is no less than between 1000 -10000 pieces.
- When the customized product involve the need of specify logo, the OEM manufacturer is asked to provide trademark authorization and the sample of logo image file.

**▲ Once the customized injector valve assembly is sold, it can not be returned or exchanged if there is no quality problems.**

**1.6.F00RJ02397 Injector Valve Assembly Packing List**

**(1) Injector Valve Assembly Spare Parts List**

| Serial Number | 1   | 2   | 3   |
|---------------|---|---|---|
| Image         |  |  |  |
| Name          | Injector Valve Assembly   | Injector Valve Assembly Anti-rust Paper   | Injector Valve Assembly Box (Square is optional)                                      |
| Description   | Injector valve assembly part number F00RJ02397                                      | Prevent the injector valve assembly from rusting                                    | Protect the injector valve assembly from being damaged by colliding                   |

|               |   |  |   |
|---------------|---|--|---|
| Serial Number | 4   | 5  | / |
| Image         |  |  | / |
| Name          | Injector Valve Assembly Box (Cylindrical is optional)                             | VCI Anti-rust Bag  | / |
| Description   | Protect the injector valve assembly from being damaged by colliding               | Prevent the injector valve assembly from rusting                                   | / |

- ⚠ Minors are prohibited from using the injector valve assembly, valve assembly anti-rust paper, valve assembly box, and VCI anti-rust bag to avoid personal injury.
- ⚠ The valve assembly box is recyclable and can be reused.
- ⚠ VCI anti-rust bag is non-degradable material, please dispose of it properly after use.

### 1.7.F00RJ02397 Injector Valve Assembly Warranty Instructions

#### (1) . Injector Valve Assembly Warranty Conditions and Instructions

It is necessary to provide pictures, videos, or test reports detected by the injector valve assembly inspection equipment when the valve assembly is abnormal during use as evidence to feed back to the salesman.

Abnormal conditions are properly explained such as: 1. Smoke, 2. Engine shake, 3. Difficulty starting the engine, 4. Engine noise, 5. Oil leakage and other abnormal conditions.

The above condition may also be affected by other components of the injector. If it is confirmed by our company to be a product problem, it is within the scope of the subsidy.

#### (2) . Injector valve Assembly Warranty Coverage

Within 15 days after customer receives the **F00RJ02397** injector valve assembly, if there is a performance failure and the product has no appearance damage, customer can choose to replace it;

If the **F00RJ02397** injector valve assembly has performance problems during the warranty period (6-12 months), and it is confirmed that it is product's problems after being tested, you can contact our salesmen to replace the same model for free;

If the product is confirmed to be fault-free, the product will be returned.

#### (3) . Injector Valve Assembly Out of Warranty Coverage

The warranty period has expired, not covered by warranty.

Injector valve assembly failure caused by high temperature, high pressure, humidity, rain and snow, saline-alkali land, earthquake, and used in abnormal environment.

Injector valve assembly damage caused by man-made reasons (throwing, strong magnetic field magnetization, set fire).

Injector valve assembly failure or injector damage caused by non-injector design, technology, manufacturing, quality and other issues.

Injector valve assembly failure due to system pressure exceeding system approved pressure.

Injector valve assembly failure caused by impurities (water, lead, aluminum powder, iron powder, sulfide) in the system fuel exceeding the standard requirements.

Injector valve assembly failure caused by not installing according to the tightening torque specified in the vehicle engine maintenance manual (the tightening torque is too large or too small).

Injector valve assembly failure caused by not following the installation angle specified in the injector maintenance manual.

Injector valve assembly failure caused by not following the cleaning requirements specified in the injector maintenance manual.

Injector valve assembly failure caused by failure to replace consumable parts as specified in the

injector maintenance manual.

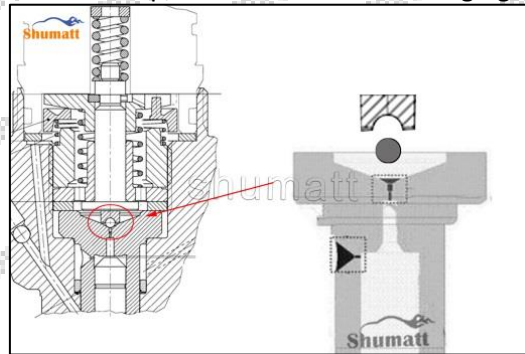
### 1.8.F00RJ02397 Injector Valve Assembly Manufacturer

**Injector Valve Assembly Manufacturer:** Shenzhen Shumatt Technology Co.,Ltd

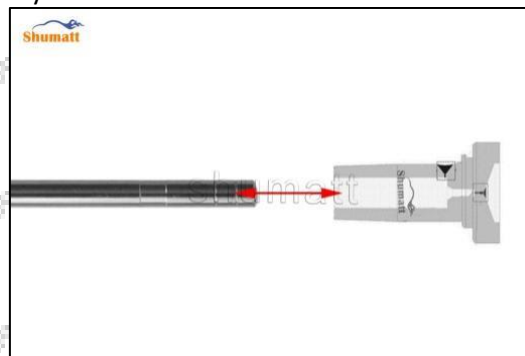
## 2. F00RJ02397 Injector Valve Assembly Technical Support

### 2.1.F00RJ02397 Injector Valve Assembly Installation Precautions

- (1) Clean the injector valve assembly in an ultrasonic cleaner for 3-5 minutes before installation, so as to make the stains, dust, rust-proof oil oxides, paraffin base, naphthenic base, intermediate base, salt, lead naphthenate, zinc naphthenate, sodium petroleum sulfonate, barium petroleum sulfonate, calcium petroleum sulfonate, tallow diamine trioleate, rosinamine on the surface of the injector valve assembly fall off.
- (2) Use compressed air to clean the cleaning fluid attached to the surface of the injector valve assembly after cleaning, and clean it up to the standard of use.
- (3) When installing the steel ball and ball seat, pay attention to the steel ball should close tightly to the oil return hole at the top of the valve cap, as shown in the following figure.



- (4) When installing the valve stem, make sure that the valve stem and the bonnet must ensure that the valve stem can move smoothly in it. as below



- (5) When installing the injector valve assembly, the oil inlet position should be 180° between the oil inlet position of the injector body.

**⚠ If the injector steel ball and the ball seat are not installed in accordance with the standard, it may cause serious damage to the injector valve assembly.**

## 2.2.F00RJ02397 Injector Valve Assembly Replacement Conditions

### (1) Valve Cap




Under the microscope, magnify 20 times to check that the oil inlet hole of the valve cap and the oil return hole of the bonnet are not worn, grooved, scratched, damaged, rusted or dented.

|   |   |  |
|---|---|--|
|  |  |   |
| Injector valve cap inlet hole location  | Injector valve cap return hole location   | The oil inlet and oil return holes of the injector valve cap are free of wear, grooves, scratches, damage, rust, dents, which do not need to be replaced |
|  |  |   |
| The injector valve cap oil hole is recessed and needs to be replaced              | The injector valve cap oil hole is worn and needs to be replaced                  | The injector valve cap oil hole is punched and needs to be replaced  |

- ⚠ The wear of the top oil return hole causes the oil return to be too large and the leaking injector cannot inject oil.
- ⚠ The oil inlet hole on the side is blocked, causing the injector to fail to establish the pressure chamber and the injector cannot work normally
- ⚠ Wear of the oil chamber of the valve cap will cause fuel injector failure. In severe cases, the fuel injector will not work properly.

### (2) Valve Rod

Microscope amplification 20 times, check the valve rod for wear, not smooth surface color, rust

|   |   |   |
|---|---|---|
|  |  |  |
| The valve stem is worn out and needs to be replaced                                 | The valve stem surface is not smooth and colorless, and it needs to be replaced     | The valve stem is rusty and needs to be replaced                                      |

- ⚠ The excessive clearance between the stem wear and the housing and between the cap causes an injector delay.
- ⚠ The valve stem lag will cause the injector to start the solenoid to start, and the oil needle can not return quickly after the nozzle is opened.
- ⚠ Check the injector components before replacing the injector valve assembly according following the injector service manual to avoid further damage to the injector valve assembly.

### 2.3.F00RJ02397 Injector Valve Assembly Installation Steps

(1) Use special installation tools - the sealing ring and support ring in CRT029 to put them into the injector housing, as shown in picture No. 1



Pic No.1

(2) Place the valve assembly into the injector and use the special tools in CRT029 to install the valve assembly in place, as shown in picture No. 2



Pic No.2



(3) Take out the buffer spring, steel ball and ball seat for later use, as shown in picture No. 3



Pic No.3

(4) Place the armature stroke adjust shim into the injector, as shown in picture No. 4



Pic No.4

(5) Place the armature core into the injector, as shown in picture No. 5



Pic No.5

(6) Place the armature lower plate into the injector, as shown in picture No. 6



Pic No.6

(7) Place the lock nut into the injector, as shown in picture No.7



Pic No.7

(8) Use the special tool for tightening the lock nut in CRT029 to tighten the lock nut to 65Nm, as shown in picture No. 8



Pic No.8

(9) Put in the armature, as shown in picture No. 9



Pic No.9

(10) Press the armature plate downward so that the opening buffer stroke adjust washer can be stuck in the slot on the armature core, as shown in picture No. 10



Pic No.10

(11) Put in the armature stroke adjust shim, as shown in picture No. 11



Pic No.11

(12) To measure the stroke without the buffer spring, steel ball, and ball seat, use the CRT220 tool (Tool No. 1), as shown in picture No. 12



Pic No.12

(13) Install the measuring tool on the injector and reset it to zero, as shown in picture No. 13



Pic No.13

(14) After installing the buffer spring, steel ball, and ball seat, install the measuring tool. The value displayed by the measuring tool is the value of the buffer stroke (15-45um). If it is greater than the normal value, reduce the buffer stroke adjustment shim. If it is smaller than the normal value, thicken the buffer stroke adjustment gasket, as shown in picture No. 14



Pic No.14

(15) Return the measuring tool to zero again, as shown in picture No. 15



Pic No.15

(16) The value reached by pressing the gauge rod is the armature stroke (45-55um). If the value is greater than the normal value, reduce the armature stroke adjustment washer. If the value is less than the normal value, thicken the armature stroke adjustment washer, as shown in picture No. 16.



Pic No.16

(17) Replace the measurement tool and use the (No. 5 tool) in the CRT220 tool and perform zeroing, as shown in picture No. 17



Pic No.17

(18) Measure the distance from the inner plane to the outer plane of the solenoid valve and record it as A (5510), as shown in picture No. 18



Pic No.18



(19) Measure the distance from the armature plate plane at the end of the injector to the remaining air gap adjust washer shim again and record it as B (5498), as shown in picture No. 19



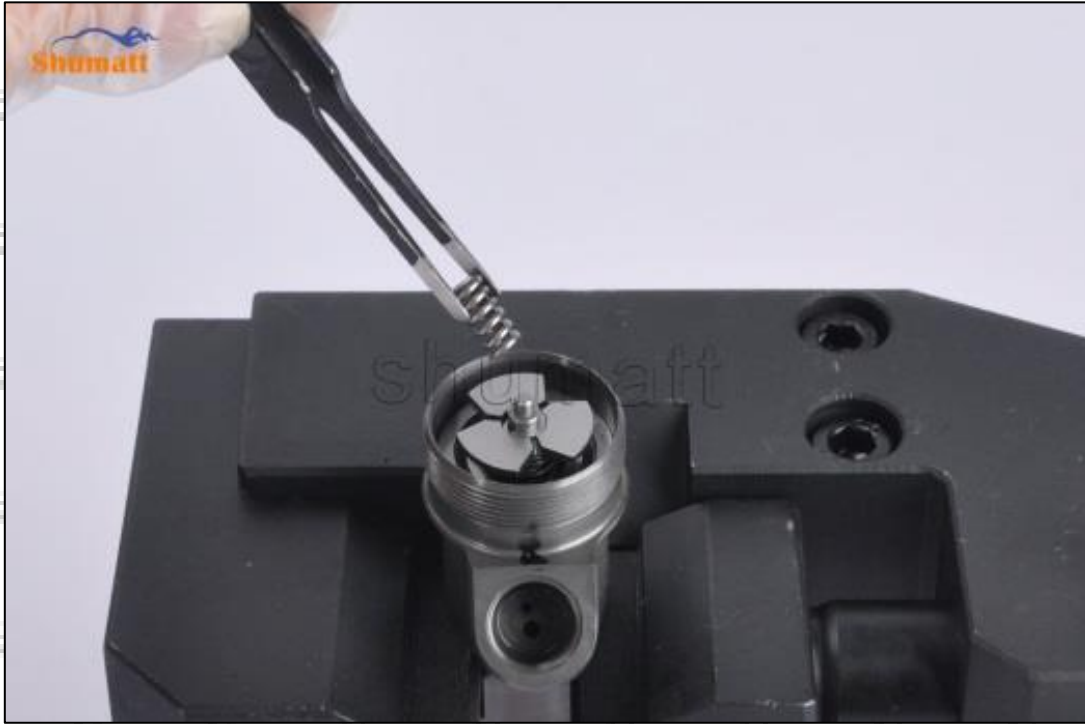
Pic No.19

(20) Residual air gap = A data - B data. The value of the remaining air gap is 45-55Nm. If it is greater than the normal value, reduce the remaining air gap stroke adjust washer shim. If it is less than the normal value, thicken the remaining air gap stroke adjust washer shim, as shown in picture No. 20



Pic No.20

(21) Place the solenoid valve spring into the injector, as shown in picture No. 21



Pic No.21

(22) Place the solenoid valve spring adjust washer shim into the injector, as shown in picture No. 22



Pic No.22

(23) Tighten the solenoid valve to a 45 degree angle, as shown in picture No. 23



Pic No.23

(24) Use the solenoid valve nut open-end wrench to tighten it to 35Nm, as shown in picture No. 24



Pic No.24

**2.4.F00RJ02397 Injector Valve assembly Technical Support Obtaining Methods**

- (1) Valve Assembly Technical File, visit <http://shumatt.com> to get the technical file
- (2) Injector Valve Assembly Technical Videos

**Facebook:** Visit <https://www.facebook.com/hison.li> to get technical support videos and stay tuned for more information.

**YouTube:** [https://www.youtube.com/channel/UCByvYBx7VjV\\_mAFxh\\_Hu-aw](https://www.youtube.com/channel/UCByvYBx7VjV_mAFxh_Hu-aw) to get the technical support videos, constantly follow can get more information.

**Shumatt:** Visit <http://shumatt.com> to get the technical support videos.

- (3) Valve Assembly Information Query Software

TruckBook Parts EPC APP, Android/Apple App Store download and install, visit <http://shumatt.com> to get the download and installation tutorial

- (4) Search The injector valve assembly test data through TruckBook Parts EPC APP.

**3.F00RJ02397 Injector Valve Assembly Purchase and Delivery**

**3.1.F00RJ02397 Injector Valve Assembly Purchase Payment Terms**

**Payment Terms:** T/T, PayPal, Alipay, WeChat

**⚠ Please contact our salesmen for specific payment information.**

**3.2.F00RJ02397 Injector Valve Assembly Main Sales Market.**

**Injector valve assembly main sales markets:** Asia, Europe, North America, South America, Africa etc.

**3.3.F00RJ02397 Injector Valve Assembly Declaration Requirements**

Shumatt can assist customers to provide the following documents for import customs clearance: contract, invoice, packing list, bill of lading, insurance policy, certificate of origin, etc.

**3.4.F00RJ02397 Injector Valve Assembly Shipping Ways**

**Destination in China areas:** SF Express, Debon Express, the corresponding logistics company can be provided according to customer requirements in special cases.

**Destinations out of China's areas:** DHL, UPS, FedEx, TNT air, ocean or other shipping methods required by customers.

**3.5.F00RJ02397 Injector Valve Assembly Lead Time**

**Lead time:** Send out within 3 – 7 working days after receiving payment(Except for special products and special cases).

**3.6.F00RJ02397 Injector Valve Assembly Logistics Time for Destination Out of China's Areas**

**DHL Logistics Time:**

| Country or Region of Departure | Hong Kong, China | Other Countries or Regions of Asia | Australia and New Zealand | Europe | America   | Other Countries |
|--------------------------------|------------------|------------------------------------|---------------------------|--------|-----------|-----------------|
| China's Mainland               | 7 Days           | 7 Days                             | 8 Days                    | 8 Days | 8-12 Days | 7-10 Days       |

**UPS Logistics Time:Country or Region of Departure: China's Mainland**

| Country of Destination | Estimated Arrival Time | Country of Destination | Estimated Arrival Time | Country of Destination | Estimated Arrival Time |
|------------------------|------------------------|------------------------|------------------------|------------------------|------------------------|
| Japan                  | 3 Days                 | UK                     | 5-7 Days               | Egypt                  | 5-7 Days               |
| Turkey                 | 5-7 Days               | Singapore              | 3 Days                 | Switzerland            | 5-7 Days               |
| Bahrain                | 5-7 Days               | Latvia                 | 7-10 Days              | New Zealand            | 7-10 Days              |
| Sri Lanka              | 5-7 Days               | Thailand               | 3 Days                 | Austria                | 5-7 Days               |
| Romania                | 5-7 Days               | Vietnam                | 3-5 Days               | Estonia                | 5-7 Days               |
| Malaysia               | 3-5 Days               | Israel                 | 5-7 Days               | Mexico                 | 7-10 Days              |
| France                 | 5-7 Days               | America                | 5-7 Days               | United Arab Emirates   | 5-7 Days               |
| Italy                  | 5-7 Days               | Netherlands            | 5-7 Days               | Bengal                 | 7-10 Days              |
| Lebanon                | 5-7 Days               | Philippine             | 3-5 Days               | Greece                 | 7-10 Days              |
| South Korea            | 3 Days                 | Spain                  | 5-7 Days               | Myanmar                | 5-7 Days               |
| Canada                 | 5-7 Days               | Germany                | 5-7 Days               | Saudi Arabia           | 7-10 Days              |
| Portugal               | 5-7 Days               | Australia              | 5-7 Days               | South Africa           | 7-10 Days              |
| Denmark                | 5-7 Days               | Belgium                | 5-7 Days               | Ukraine                | 7-10 Days              |
| India                  | 7-10 Days              | Qatar                  | 7-10 Days              | Poland                 | 5-7 Days               |
| Indonesia              | 3-5 Days               | Morocco                | 7-10 Days              | Pakistan               | 7-10 Days              |
| Kuwait                 | 7-10 Days              | /                      | /                      | /                      | /                      |

The logistics time is for reference only, subjects are according to the actual arrival.

### 3.7.F00RJ02397 Injector Valve Assembly Packing

**Domestic express packaging:** Usually wrapped in waterproof scotch tape, such as picture No.1.

**International express packaging:** Wrapped with waterproof yellow tape After wrapping the black protective film, such as picture No. 2.

**Pallet Shipping:** Use fumigation free and recycling trays that meet export requirements, and use white wrapping protective film to wrap and bind with cable ties for the outside, such as picture No. 3, Also, the products can be packaged according to customers' requirements.

The packing tray is made of plastic and can be recycled.

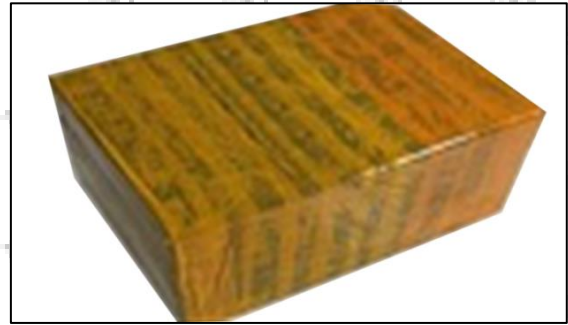
Transparent tape, yellow tape, black wrapping protective film, white wrapping protective film are non-degradable materials, please dispose of them properly.

▲ Minors are prohibited from using transparent tape, yellow tape, black wrapping protective film, and white wrapping protective film to avoid personal injury.



Pic No.1

**Domestic express packaging:**  
Wrapped by Transparent tape



Pic No.2

**International express packaging:**  
Wrapped with yellow tape after wrapping  
black protective film



Pic No.3

**Pallet Shipping:** Use pallet that meet export requirements, and use white wrapping protective film to wrap and bind with cable ties

#### 4.F00RJ02397 Injector Valve Assembly Storage Standard

##### (1) Choose a suitable storage place

The warehouse and cargo yard where the fuel injector valve assembly is stored should be kept clean and dry, and away from the factory buildings that generate harmful gases and dust; do not mix with acid, alkali, salt and other substances; the storage place should have a good drainage system; the cargo yard should be flattened with gravel or furnace ash etc. to enhance the water permeability of the surface layer to keep the reservoir area dry.

##### (2) Strict requirements of warehousing

Strict inspections should be carried out when the fuel injector valve assemblies are put into storage, the surface cleaning work should be done well to remove water traces, oil stains, ash and other dirt, remove the rust and do anti-rust treatment in time. Packaged Injector Valve Assembly must be protected from damage.

##### (3) Keep the warehouse dry and preventing moisture

The relative humidity is usually below 70% for the fuel injector valve assembly placed in the room, and the corrosion of the fuel injector valve assembly is significantly reduced.

Injector valve assembly must be stored in the warehouse, and they are forbidden to store in the same warehouse with commodities with high water content.

#### (4) Stack Properly

After the injector valve assembly is exposed to rain, the corrosion rate will increase significantly. The purpose of sealing is to isolate the injector valve assembly from rainwater and humid air, so the warehouse window should be checked in time to avoid rainwater entering the warehouse

If the injector valve assembly package is damaged, it should be repaired or replaced; when the package is damp, the packaging material should be dried; if the original anti-corrosion and oil applied at the factory is found to be damaged or dried up, it should be cleaned and re-applied oil in time.

- ▲ It is forbidden to leave the injector valve assembly exposed in the air for a long time.
- ▲ It is forbidden to store acid, alkali, salt and other substances together with the injector valve assembly.
- ▲ The unpacked injector valve assembly must be rust-proof during secondary storage.

### 5. Company Information



#### 5.1. Company Introduction

**Chinese Name:** 深圳市舒马特科技有限公司

**English Name:** Shenzhen Shumatt Technology Co., Ltd.

📱 **Mob Phone/WeChat:** +86-13410541523

📞 **HK Telephone:** +852-67653519

☎ **Telephone:** +86-755-23215133

✉ **Email:** ruby@shumatt.com

🌐 **Website:** www.shumatt.net

**Shenzhen Office:** 11-12, Floor 14, Building 13, Qinchengda Building, Exit A, Honglang North Subway Station, Bao'an District, Shenzhen, China's Mainland

**Shenzhen Office:** Exit C, Qiao Touxu Metro Station, NO. 66 Chongqing Road, Fuhai Avenue, Bao'an District, Shenzhen, China Mainland

**Hong Kong Office:** Jianfa Street Industrial Zone, Tuen Mun, New Territories, Hong Kong, China

**After-sales Service Address:** Please contact our salesmen to obtain and provide the corresponding product maintenance reasons (Reference: [1.7 F00RJ02397 Injector Valve Assembly Warranty Instructions](#))

## 5.2. Contact Information

| No | Name                            | WeChat/<br>WhatsApp | Email               | Facebook        | YouTube         |
|----|---------------------------------|---------------------|---------------------|-----------------|-----------------|
| 1  | Ruby                            | +86-13410541523     | ruby@shumatt.com    | Hison Li        | Hison Li        |
| 2  | Ivy                             | +86-18025309821     | sales@shumatt.com   | Ivy Shumatt     | Shumatt IVY     |
| 3  | Rebecca                         | +86-18025349821     | sales01@shumatt.com | Rebecca SHUMATT | SHUMATT Rebecca |
| 4  | Janny                           | +86-18028749821     | sales02@shumatt.com | Janny shumatt   | Janny Shumatt   |
| 5  | Sam                             | +86-13316859821     | Sales8@shumatt.com  | Shumatt Sam     | Sam Shumatt     |
| 6  | Natalie                         | +86- 18938945856    | sales15@shumatt.com | Shumatt Natalie | Lin Natalie     |
| 7  | Ada                             | +86-1342286353      | sales5@shumatt.com  | Shumatt Ada     | Ada Shumatt     |
| 8  | Hison Li                        | +86-18318811871     | web@shumatt.com     | Hison Li        | Hison Li        |
| 9  | Mecca                           | +86-18938948618     | sales11@shumatt.com | Shumatt Mecca   | Shumatt Mecca   |
| 10 | Eric                            | +86 18319033618     | sales3@shumatt.com  | /               | /               |
| 11 | Wayne<br>( Joaquín en español ) | +86-13316959821     | wayne@shumatt.com   | shumattwayne    | Wayne Shumatt   |
| 12 | Sylvia                          | +86 18312499884     | sales6@shumatt.com  | /               | /               |

Visit <http://www.shumatt.com> to obtain the latest information of salesmen

**PS:** Shumatt's sales-men's emails are all end with **@shumatt.com**

## 6. Copyright Statement

The copyright of any contents "F00RJ02397 valve assembly technical fail" (including but not limited to parameters, data, text, charts, images, sounds or videos, etc.) provided in "F00RJ02397 Valve assembly Technical File" belong to Shenzhen Shumatt Technology Co., Ltd. Without the prior written permission of Shenzhen Shumatt Technology Co., Ltd., you are not allowed to modify any contents in "F00RJ02397 Valve assembly Technical File" in any way. At the same time, any conditions to spread, re-post, display the contents of "F00RJ02397 Valve assembly Technical File" should indicate that the cited article is from Shenzhen Shumatt Technology Co., Ltd., Any actions failure to follow above conditions to use "F00RJ02397 Valve assembly Technical File" will violate the "Copyright Law of the People's Republic of China" and other laws and regulations and the provisions of relevant international conventions.